

JA-154P-PET Wireless PIR motion detector with basic pet immunity

The product is a component of the **JABLOTRON** system. It is used for spatial detection of movement of persons inside buildings. Compared to standard PIR motion detectors from the **JABLOTRON** series, its detection characteristics have been modified, and it has basic immunity to animals. The detector eliminates the movement of small animals (up to approx. 25 kg and a maximum height of 40 cm) on the floor. The detector has a pulse response (it only reports its activation), communicates wirelessly, is powered by two alkaline batteries and occupies one position in the system. The detector is intended for installation by a trained technician with a valid Jablotron certificate.

This product is compatible with **JA-102K, JA-103K, JA-107K and JA-152KR control panels**.



The detector eliminates animals moving only on the floor according to its detection characteristics. It is not suitable for guarding areas where animals can move freely at heights!

Installation

The detector can be mounted on a wall or in a corner of the room at a recommended height of 2.2 m. There should be no objects that change temperature rapidly (electric stoves, gas appliances etc.), no moving objects (e.g. waving curtains above a radiator, robotic vacuum cleaner etc.) or pets in its field of view. It is not recommended to install the detector opposite windows or reflectors, or in places where air flows (ventilation, air conditioning, vents, leaky doors, etc.). There must be no obstacles in the field of view that would obstruct its view of the protected area.

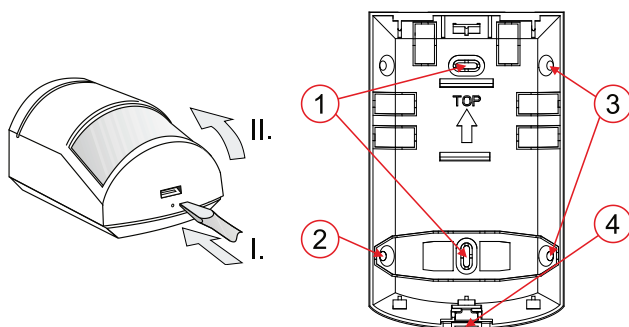


Figure 1: How to open the product and description of the rear parts of the product

- 1 – holes for mounting on a flat wall;
- 2, 3 – holes for mounting at an angle (in a corner); 4 – cover latch

1. Open the detector cover (by pressing latch 4). Do not touch the PIR sensor inside (9) – there is a risk of damage.
2. Remove the electronics.
3. Break out the holes for the screws in the rear plastic and place it on the wall.
4. Replace the electronics and follow the installation manual for the control panel.
Basic procedure:
 - a. The control panel must contain a JA-11xR radio module.
 - b. In the **Devices** tab of the **F-Link** software, select the position and press the **Enrol** button to activate enrolment mode.
 - c. Insert both batteries into the detector (ensure correct battery polarity). When the second battery is inserted, an enrolment signal is transmitted to the control panel, and it will be enrolled at the selected position. After inserting the batteries, the detector will stabilise (up to three minutes). This state is indicated by the LED indicator (5).
5. Close the detector cover. To properly meet the requirements of the standards, it is necessary to secure the top part with the locking screw from the package.

Figure 2: Description of the internal parts of the product

- 5 – LED indicator; 6 – batteries; 7 – serial number; 8 – tamper switch; 9 – PIR sensor

Notes:

- If you are enrolled the detector into the system after the batteries have already been inserted, first disconnect them, then press and release the tamper switch (8) to consume the residual energy, and only then program the detector.
- The detector can also be enrolled into the system by entering the serial number (7) in the **F-Link** software using the keypad or barcode reader. Enter all the digits shown under the barcode (1400-00-0000-0001).
- In accordance with Belgian INCERT certification, installation in the centre of the inner corner is required.
- To remove the detector from the system, delete it from the corresponding position in the control panel.
- To comply with EN 50131-3, the cover latch (4) must be secured with the screw supplied in the package.

Detector communication in the system

The detector is equipped with new two-way asynchronous communication with the JA-11xR radio module. The reason for this is to maintain comfort for possible changes in internal settings (as with bus detectors), while also considering battery life in normal operating mode.

After enrolling into the system, the detector operates in the so-called accelerated 90-second mode until it leaves service (but no longer than 24 hours). This means that every 90 seconds it checks whether the system is still in service mode, whether it should accept new settings or whether the signal should indicate movement for a walk test.

In normal system operation, the detector does not receive signals as standard (it only receives regular reports, at most once every 20 minutes). When switching from operating mode to service mode, it can therefore take up to 20 minutes for the detector to learn about the service status of the control panel or to accept changes to the internal settings. This time can be shortened by activating the detector (e.g. by moving in front of the detector or opening = activating the tamper sensor), which immediately switches to accelerated 90-second mode.

Important: When requesting a change to the internal settings, it is not necessary to wait 90 seconds (or 20 minutes) for the detector to confirm acceptance of the settings. The system remembers the requested change and transmits the new detector settings during regular communication.

Setting properties

The settings are made using the **F-Link** software - **Devices** tab. Use the **Internal settings** option for the detector position. A dialogue box will appear in which you can set (* factory settings):

Operating mode: Smartwatch or One-minute interval function.

Smartwatch: If continuous movement is detected in the Smartwatch function, up to three reports are sent every 20 seconds, then the next report is sent after 2 minutes. If no movement is detected in front of the detector for more than 10 minutes, the three reports every 20 seconds mode is activated again.

One-minute interval: In one-minute motion detection mode, the detector goes to sleep for a minute after activation, and after a minute's delay it is ready to detect again.

Detector testing

In the control panel service mode, the detector indicators signal every movement. After leaving the service mode, the detector switches to the operating mode set in the internal settings. Individual detector activations can also be checked in the **F-link** software, in the **Diagnostics** tab.

In normal detector operating mode, the indicators are completely turned off, including the yellow fault indicator.

Replacing the batteries in the detector

The system automatically reports when the batteries are low. We recommend replacing the batteries within 2 weeks of the low battery signal. The replacement is performed by a technician in the control panel service mode. It is always necessary to replace both batteries with new ones at the same time!

Before inserting new batteries, wait 10 seconds or press the cover tamper switch (10) to discharge any residual current.

Notes:

- The detector immediately indicates a low battery by flashing the yellow indicator light for the duration of the detector stabilisation (min. 15 seconds).
- The battery status can be checked in the **F-link** software, in the **Diagnostics** tab.
- For the detector to function properly, we recommend using batteries supplied by the Jablotron distribution network (LR6 (AA) 1.5 V) or other high-quality branded alkaline batteries.
- Do not dispose of used batteries in the waste but take them to a collection point.

Detection characteristics

The detector is factory-fitted with a JS-7910 lens with a coverage of 90° / 12 m (**PET protection/pet immunity only applies to 90° / 7 m**), see the following diagram. The white part of the graph shows the elimination of small animals up to approx. 25 kg and a maximum height of 40 cm, while the remaining grey part shows standard detection. PET immunity cannot be guaranteed in rooms larger than 7 m.

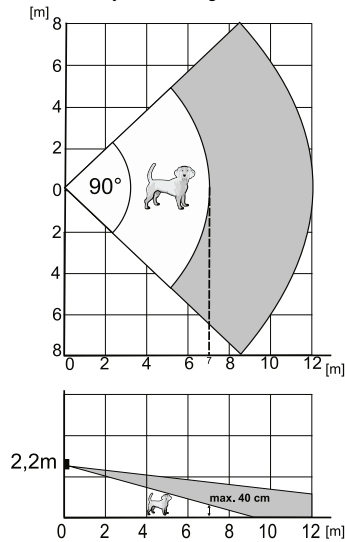
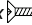


Figure 3: Detection characteristics

JA-154P-PET Wireless PIR motion detector with basic pet immunity

Technical parameters

Power supply	2x alkaline batteries, type LR6 (AA) 1.5 V Note: batteries are not included.
Typical battery life	approximately 4 years
Low battery voltage	<2.4 V
Nominal current consumption	36 µA
Maximum current consumption	50 mA
Communication frequency	868.1 MHz, JABLOTRON protocol
Maximum radio-frequency power (ERP)	<25 mW
Communication range	approx. 500 m (open terrain)
Recommended installation height	2.2 m above floor level
Detection angle / detection coverage	90 ° / 12 m (standard); 90 ° / 7 m (PET protection)
Dimensions	60.8 x 97.5 x 51.8 mm
Weight (without batteries)	82 g
Classification	security grade 2 / environment class II (according to EN 50131-1)
Environment	Indoor general
Operating temperature range	-10 °C to +40 °C
Average operating humidity	75 % RH, non-condensation
Certification body	Trezor Test s.r.o. (No. 3025), Kiwa Nederland b. v.
Complies with	EN 50131-2-2, EN 50131-5-3, EN 50131-6, EN 50130-4, ETSI EN 300 220-2, EN 55032, EN IEC 62368-1, EN IEC 63000, T 031
Operating conditions according to general authorisation	ERC REC 70-03
Recommended screw	2x  ø 3.5 x 40 mm (countersunk head)



JABLOTRON a.s. declares that the JA-154P-PET product is designed and manufactured in accordance with the harmonised legislation of the European Union: Directives No.: 2014/53/EU, 2014/35/EU, 2014/30/EU, 2011/65/EU, when used as intended. The original declaration of conformity is available at www.jablotron.com in the Downloads section.



Note: Disposing of this product correctly will help save valuable resources and prevent any potential negative effects on human health and the environment, which could otherwise arise from inappropriate waste handling. Please return the product to the dealer or contact your local authority for further details of your nearest designated collection point. For more detailed information, visit www.jablotron.com in the Downloads section.